

# NBC-R4AC/5,0-93B/R4AC - Patch cable



1408970

<https://www.phoenixcontact.com/us/products/1408970>

Please be informed that the data shown in this PDF document is generated from our online catalog. Please find the complete data in the user documentation. Our general terms of use for downloads are valid.



Patch cable, degree of protection: IP20, cable length: 5 m, number of positions: 4, 100 Mbps, CAT5, material: PA 6.6, PROFINET

## Your advantages

- Compact angle
- Perfect for industrial applications
- PVC cable for flexible installations
- Worldwide approval with CE, UL, WEEE, and EAC
- Secure connection and disconnection with reliable locking clip protection
- Ideal EMC properties, thanks to 360° shielding
- Simultaneous power transmission with PoE++
- Resistant to shock and vibrations, thanks to robust molding
- High-speed data transmission with up to 1 Gbps (CAT5)

## Commercial data

Item number	1408970
Packing unit	1 pc
Minimum order quantity	1 pc
Sales key	AB11
Product key	ABNABA
Catalog page	Page 396 (C-2-2019)
GTIN	4046356856997
Weight per piece (including packing)	351 g
Weight per piece (excluding packing)	320.386 g
Customs tariff number	85444210
Country of origin	PL

# NBC-R4AC/5,0-93B/R4AC - Patch cable



1408970

<https://www.phoenixcontact.com/us/products/1408970>

## Technical data

### Product properties

Product type	Data cable preassembled
Sensor type	PROFINET
Number of positions	4
Connection profile	RJ45 8(4)
Number of slots	1
Shielded	yes

### Insulation characteristics

Overvoltage category	I
Degree of pollution	1

### Signaling

Status display	No
Status display present	No

### Electrical properties

Rated voltage (III/3)	72 V (DC)
Rated current	1.75 A
Nominal voltage $U_N$	48 V
Nominal current $I_N$	1 A
Transmission medium	Copper
Transmission characteristics (category)	CAT5 (IEC 11801:2002)
Transmission speed	100 Mbps

### Mechanical properties

#### Mechanical data

Insertion/withdrawal cycles	$\geq 750$
Insertion force per signal contact	50.00 N
Extraction force per signal contact	30 N

### Material specifications

Flammability rating according to UL 94	V2
Contact material	CuSn
Contact surface material	Ni/Au
Housing material	PA 6.6
Outer sheath, material	PVC

### Connector

#### Connection 1

Type	Plug straight RJ45
------	--------------------

# NBC-R4AC/5,0-93B/R4AC - Patch cable



1408970

<https://www.phoenixcontact.com/us/products/1408970>

Shielded	yes
Handle color	black
Material	CuSn (Contact)
	Ni/Au (Contact surface)
	PA (Contact carriers)
	PA (Housing)
Insertion/withdrawal cycles	≥ 750
Degree of protection	IP20
Ambient temperature (operation)	-25 °C ... 80 °C


## Connection 2

Type	Plug straight RJ45
Shielded	yes
Handle color	black
Material	CuSn (Contact)
	Ni/Au (Contact surface)
	PA (Contact carriers)
	PA (Housing)
Insertion/withdrawal cycles	≥ 750
Degree of protection	IP20
Ambient temperature (operation)	-25 °C ... 80 °C

## Cable/line

Cable length	5.00 m
--------------	--------

## PROFINET PVC stranded CAT5 [93B]

Dimensional drawing	
Note	Minimum bending radius 4 x D
Shielded	yes
Cable type	PROFINET PVC stranded CAT5
Cable type (abbreviation)	93B
Signal type/category	PROFINET CAT5 (IEC 11801:2002), 100 Mbps
Cable structure	1x4xAWG22/7, SF/TQ
External cable diameter	6.5 mm
Outer sheath, material	PVC
External sheath, color	green RAL 6018
Conductor material	Tin-plated Cu litz wires
Conductor structure signal line	7x 0.25 mm

# NBC-R4AC/5,0-93B/R4AC - Patch cable



1408970

<https://www.phoenixcontact.com/us/products/1408970>

AWG signal line	22
Conductor cross section	4x 0.34 mm <sup>2</sup>
Wire diameter incl. insulation	approx. 1.5 mm
Single wire, color	white, yellow, blue, orange
Wave impedance	100 Ω ±15 Ω (at 1 ... 100 MHz)
Smallest bending radius, fixed installation	30 mm
Smallest bending radius, movable installation	60 mm

## Environmental and real-life conditions

### Ambient conditions

Degree of protection	IP20 (RJ45 connector)
	IP20
Ambient temperature (operation)	-25 °C ... 80 °C (RJ45 connector)

# NBC-R4AC/5,0-93B/R4AC - Patch cable

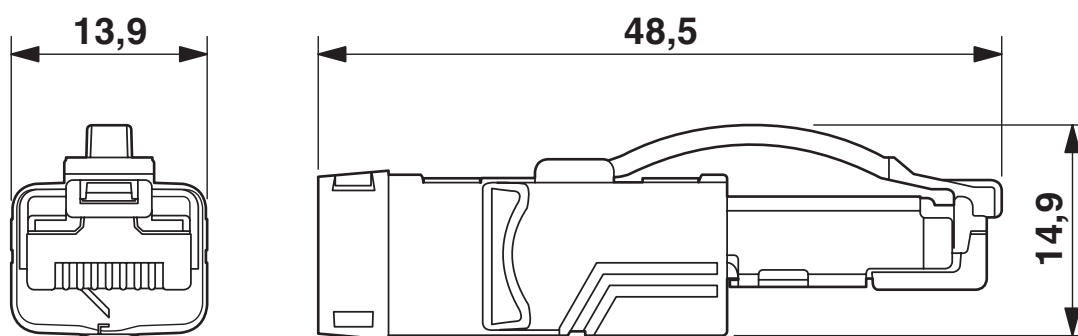


1408970

<https://www.phoenixcontact.com/us/products/1408970>

## Drawings

Dimensional drawing



RJ45 connector, IP20

# NBC-R4AC/5,0-93B/R4AC - Patch cable

1408970

<https://www.phoenixcontact.com/us/products/1408970>

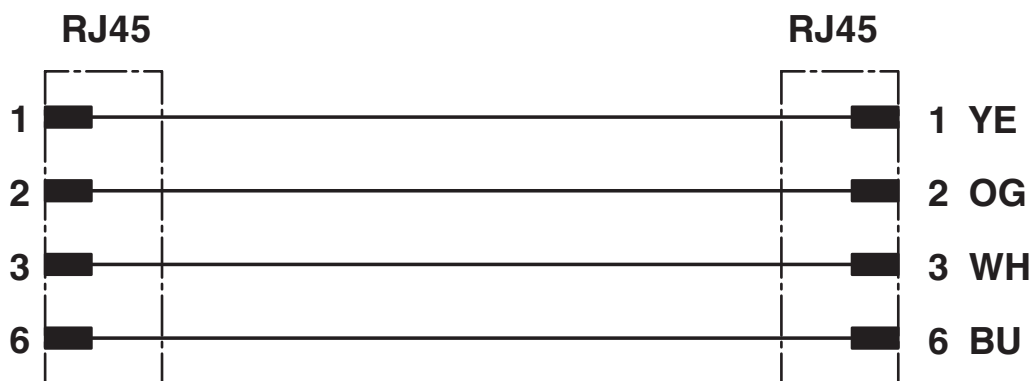


Schematic diagram



Connector pin assignment plug RJ45

Circuit diagram



# NBC-R4AC/5,0-93B/R4AC - Patch cable



1408970

<https://www.phoenixcontact.com/us/products/1408970>

## Approvals

To download certificates, visit the product detail page: <https://www.phoenixcontact.com/us/products/1408970>



**EAC**

Approval ID: 19060508

# NBC-R4AC/5,0-93B/R4AC - Patch cable



1408970

<https://www.phoenixcontact.com/us/products/1408970>

## Classifications

### ECLASS

ECLASS-11.0	27060308
ECLASS-12.0	27060308
ECLASS-13.0	27060307

### ETIM

ETIM 9.0	EC002599
----------	----------

### UNSPSC

UNSPSC 21.0	26121600
-------------	----------

# NBC-R4AC/5,0-93B/R4AC - Patch cable



1408970

<https://www.phoenixcontact.com/us/products/1408970>

## Environmental product compliance

China RoHS	Environmentally friendly use period: unlimited = EFUP-e No hazardous substances above threshold values
------------	---

Phoenix Contact 2024 © - all rights reserved  
<https://www.phoenixcontact.com>

Phoenix Contact USA  
586 Fulling Mill Road  
Middletown, PA 17057, United States  
(+717) 944-1300  
[info@phoenixcon.com](mailto:info@phoenixcon.com)